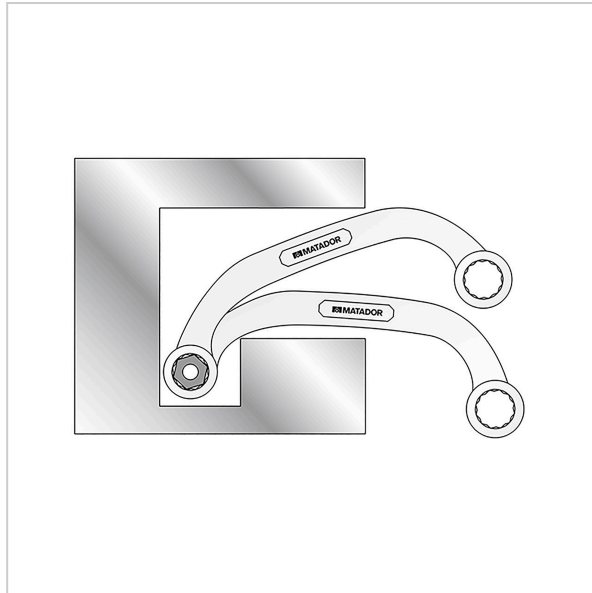


**0188** Starter and block spanner, 13x15 mm, MATADOR item no.: 01881315



**0188** Starter and block spanner, 13x15 mm, MATADOR item no.: 01881315



**Beschreibung:**

Starter and block spanners. Double ring spanner with curved shaft and extra thin-walled rings for tight spaces, e.g. for work on the engine block, as well as installation of carburettor, alternator, etc. Pleasant grip due to matt chrome-plated surface, even with oily hands.

**Technische Daten**

**Manufacturer-Number:** 01880000M

**Width:** 80 mm

**Height:** 7 mm

**Length:** 155 mm

**Weight:** 0.055 kg