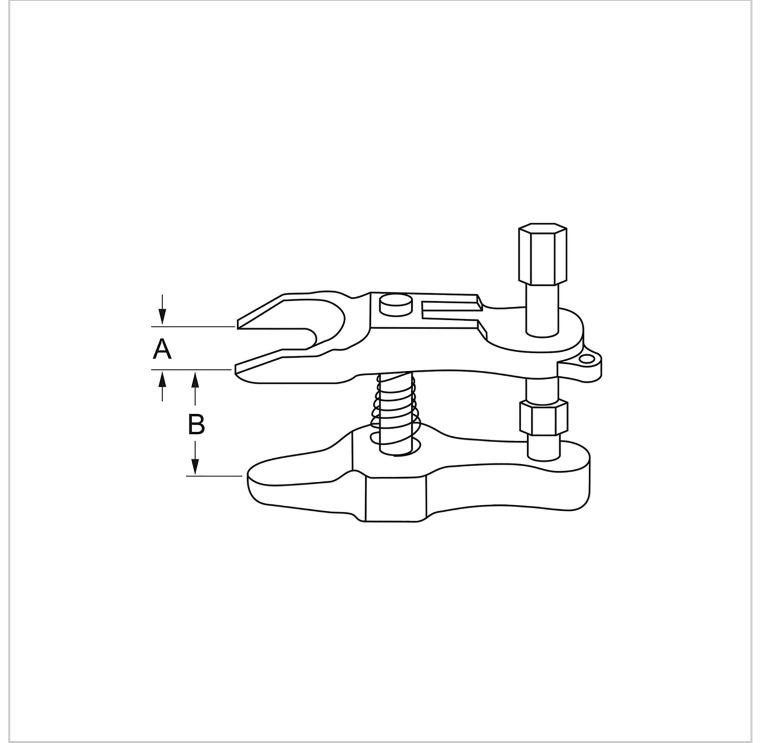


**0731** Ball joint extractor (truck), 35-45 mm, MATADOR item no.: 07310010



**0731** Ball joint extractor (truck), 35-45 mm, MATADOR item no.: 07310010



**Beschreibung:**

Ball joint pusher for trucks. For medium-duty trucks up to 18 tonnes. For pressing the ball joint pins on steering levers, tie rods, steering knuckles, stabilizers, etc.. MATADOR is one of the pioneers of the tool industry. Since 1900 we have been producing quality hand tools "around the screw". We stand for sophisticated premium tools. Reliable, design-oriented, no frills. For people who know what they want. They are in the arena and not in the auditorium. Being able to distinguish tools from toys. Who believe in themselves. Welcome to the Arena! Be a MATADOR.

**Technische Daten**

Manufacturer-Number:	0731 0010
EAN:	4040674157897
Width:	70 mm
Height:	70 mm
Length:	80 mm
Weight:	6.4 kg

**0731** Ball joint extractor (truck), 35-45 mm, MATADOR item no.: 07310010