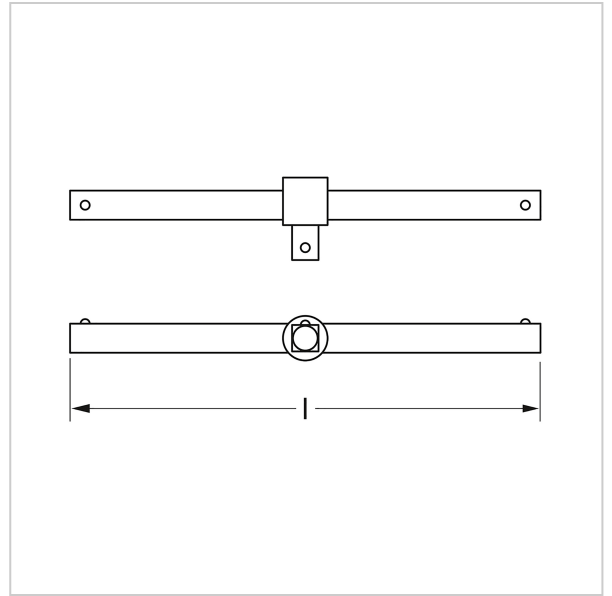
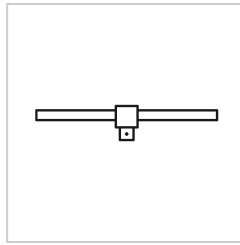


3064 Sliding handle, 3/8": 200 mm, MATADOR item no.: 30640001



3064 Sliding handle, 3/8": 200 mm, MATADOR item no.: 30640001



Beschreibung:

Sliding handle. Can be used as a T-handle, with movable outer square. With ball lock. For manual operation with ratchet and connecting parts. Outer square according to DIN 3120, A 10 / ISO 1174. With MATADOR Super chrome coating for finer surface finish and strong resistance to damage, scratches, etc. MATADOR is one of the pioneers of the tool industry. Since 1900 we have been producing quality hand tools "around the screw". We stand for sophisticated premium tools. Reliable, design-oriented, no frills. For people who know what they want. They are in the arena and not in the auditorium. Being able to distinguish tools from toys. Who believe in themselves. Welcome to the Arena! Be a MATADOR.

Technische Daten

Manufacturer-Number:	3064 0001
EAN:	4040674131958
Width:	80 mm
Height:	19 mm
Length:	200 mm
Weight:	0.17 kg

3064 Sliding handle, 3/8": 200 mm, MATADOR item no.: 30640001