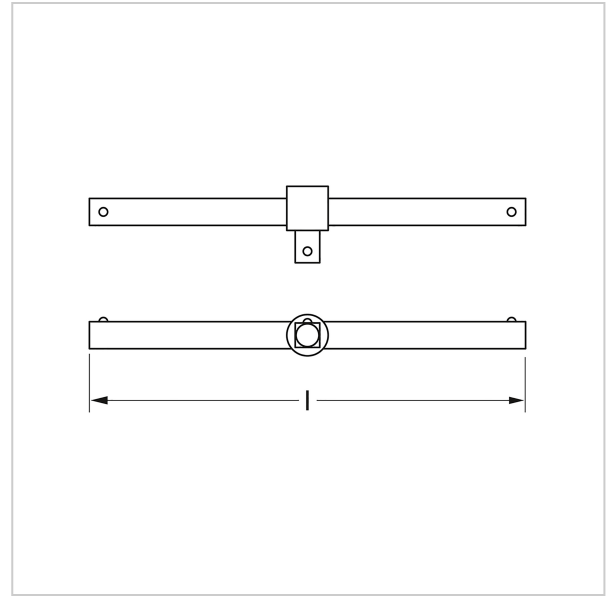
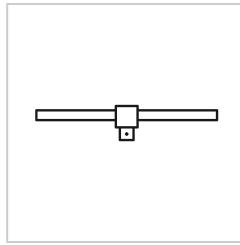
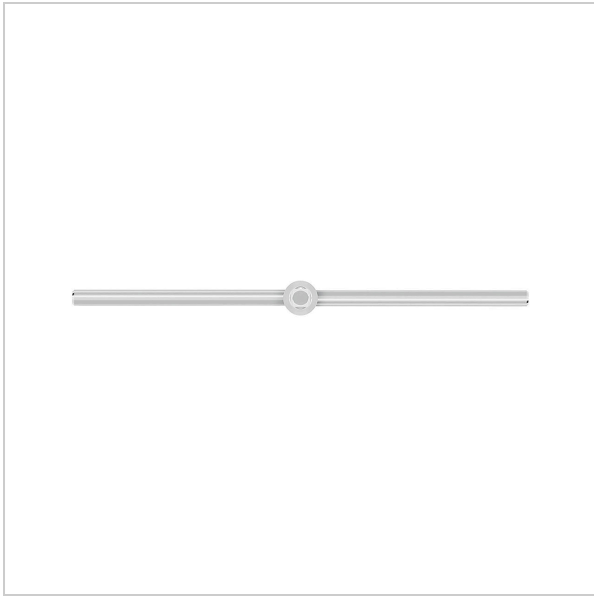


4064 Sliding handle, 1/2": 300 mm, MATADOR item no.: 40640001

4064 Sliding handle, 1/2": 300 mm, MATADOR item no.: 40640001



Beschreibung:

Sliding handle. Can be used as T-handle or L-handle, with movable outer square. With ball lock. External square according to DIN 3120, A 12.5 / ISO 1174. For manual operation with ratchet and connecting parts. With MATADOR Super chrome coating for finer surface finish and strong resistance to damage, scratches, etc.

Technische Daten

Manufacturer-Number:	4064 0001
EAN:	4040674134058
Width:	80 mm
Height:	42 mm
Length:	310 mm
Weight:	0.38 kg