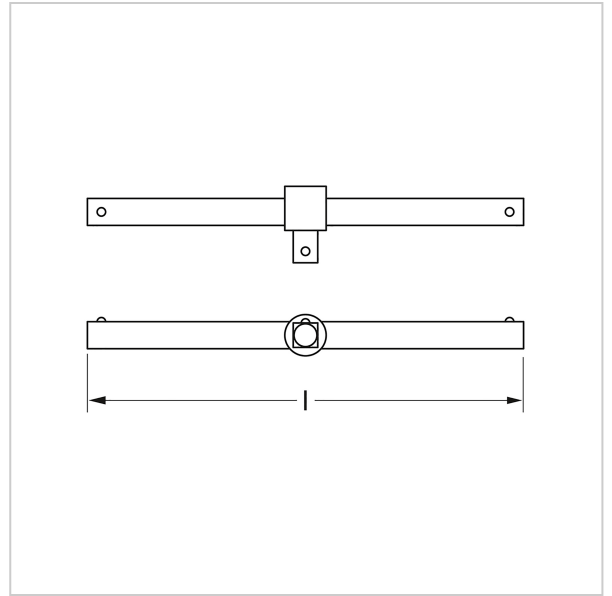
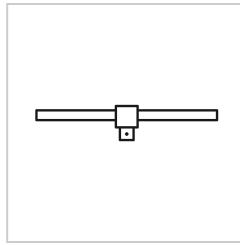
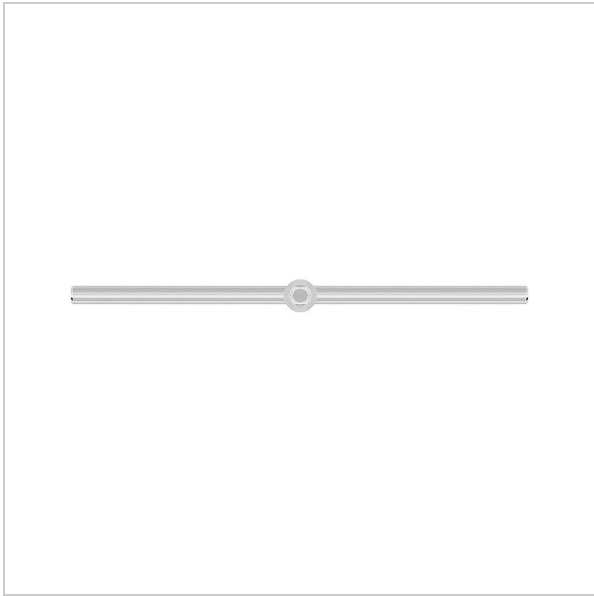


5064 Sliding handle, 3/4": 500 mm, MATADOR item no.: 50640001



5064 Sliding handle, 3/4": 500 mm, MATADOR item no.: 50640001



Beschreibung:

Sliding handle. Can be used as a T- or L-handle, with movable outer square. For manual operation with ratchet and connecting parts. Square according to DIN 3120, B 20 / ISO 1174. With MATADOR Super chrome coating for finer surface finish and strong resistance to damage, scratches, etc.

Technische Daten

Manufacturer-Number:	5064 0001
EAN:	4040674140516
Width:	110 mm
Height:	38 mm
Length:	500 mm
Weight:	1.42 kg