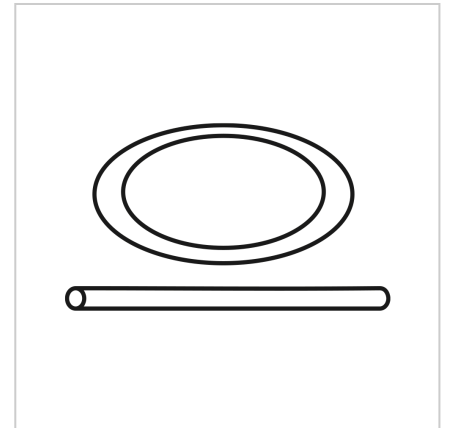
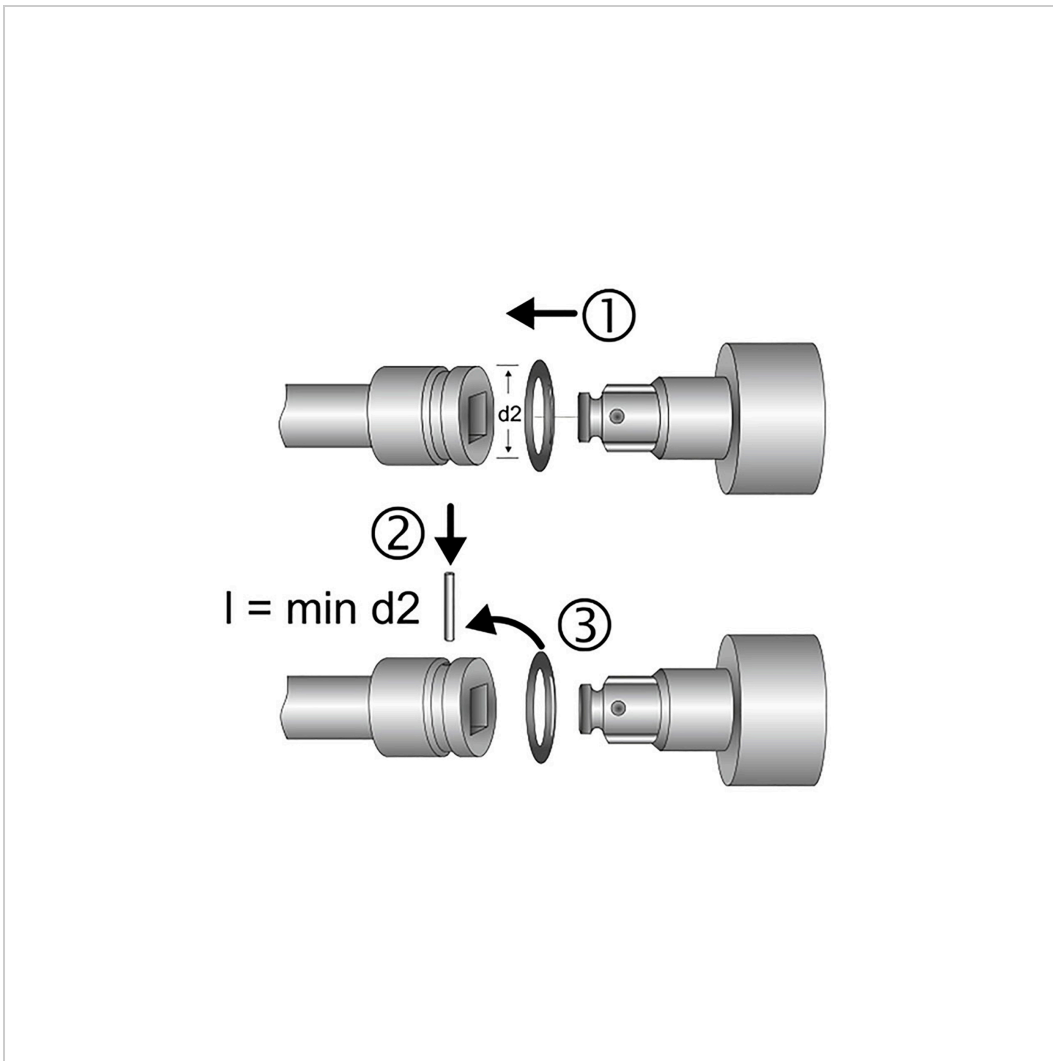


7699 Retaining ring, 44x5.5 mm, 19-70 mm, MATADOR item no.: 76990001



7699 Retaining ring, 44x5.5 mm, 19-70 mm, MATADOR item no.: 76990001



Beschreibung:

Locking ring. Accident-proof locking system for machine-operated sockets and connecting parts. For square drive according to DIN 3121, G 25 / ISO 1174. Rubber-elastic, oil-resistant material.

Technische Daten

Manufacturer-Number: 76990000M

Width: 44.5 mm

Height: 5.5 mm

Weight: 0.001 kg

7699 Retaining ring, 44x5.5 mm, 19-70 mm, MATADOR item no.: 76990001