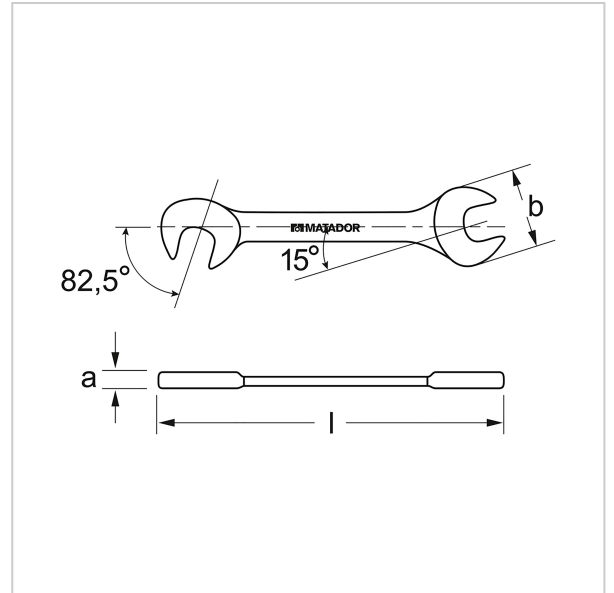
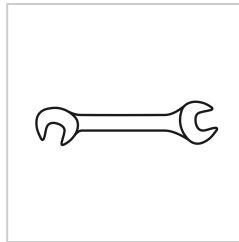


0145 Double open-ended spanner, Mini, 5.5x5.5 mm, MATADOR item no.: 01450055



0145 Double open-ended spanner, Mini, 5x5 mm, MATADOR item no.: 01450055



Beschreibung:

Double open-ended spanner in mini design.

Particularly compact and slim. Well suited for model making and whenever space is particularly tight. Extra thin heads. Jaw position 15° and 82.5° angled. With identical spanner sizes. Bright chrome-plated.

Technische Daten

Manufacturer-Number: 01450000M

Weight: 0.01 kg