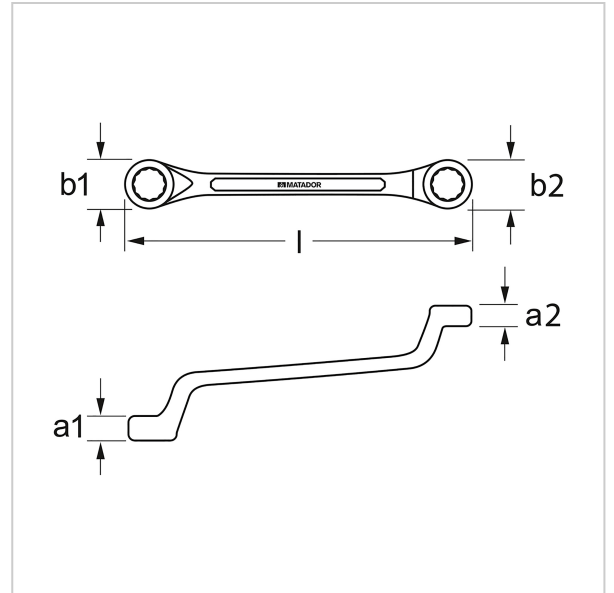
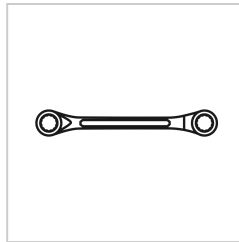


0200 Double-ended ring spanner, DIN 838, 1"x5/16" AF, MATADOR item no.: 02008001



0200 Double-ended ring spanner, DIN 838, 1/2"x5/16" AF, MATADOR item no.: 02008001



Beschreibung:

Double-ended ring spanner, long shape for more power.

Ring sides cranked for **deep screw connections**. Two dimensions per spanner. For hexagonal screw connections. Proven, durable **industrial quality** since 1900. Torque values **up to 70 %** above DIN for additional safety. Made of chrome vanadium steel (**31CrV3**), with matt chrome-plated surface for comfortable grip even with oily hands. DIN 838 / ISO 10104. With MATADOR **smartDrive** profile for optimum force development, protects screw and nut heads by transmitting force to the flanks.

Technische Daten

Manufacturer-Number:	02008000M
Width:	10 mm
Height:	22 mm
Length:	174 mm
Weight:	0.055 kg

0200 Double-ended ring spanner, DIN 838, 1/2"x5/16" AF, MATADOR item no.: 02008001