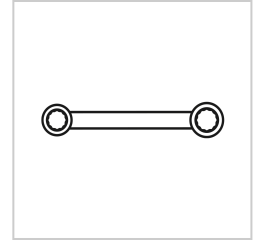
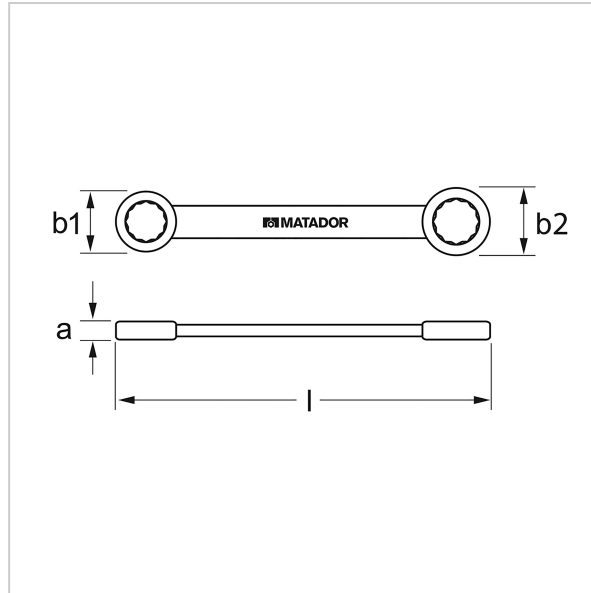


0220 Double-ended ring spanner, DIN 837, 13x17 mm, MATADOR Item No.: 02201317



0220 Double-ended ring spanner, DIN 837, 13x17 mm, MATADOR Item No.: 02201317



Beschreibung:

Double ring spanner, straight shape.

With **extra thin-walled** rings for tight spaces. Proven, durable industrial quality since 1900. Torque values up to **70 % above DIN for additional safety**. Made of chrome vanadium steel (**31CrV3**), with matt chrome-plated surface for pleasant grip even with oily hands. DIN 837 Form B / ISO 3318 / ISO 1085. With MATADOR **smartDrive** profile for optimum force development, protects screw and nut heads by transmitting force to the flanks.

Technische Daten

Manufacturer-Number:	02200000M
Width:	80 mm
Height:	4 mm
Length:	200 mm
Weight:	0.014 kg

0220 Double-ended ring spanner, DIN 837, 13x17 mm, MATADOR Item No.: 02201317