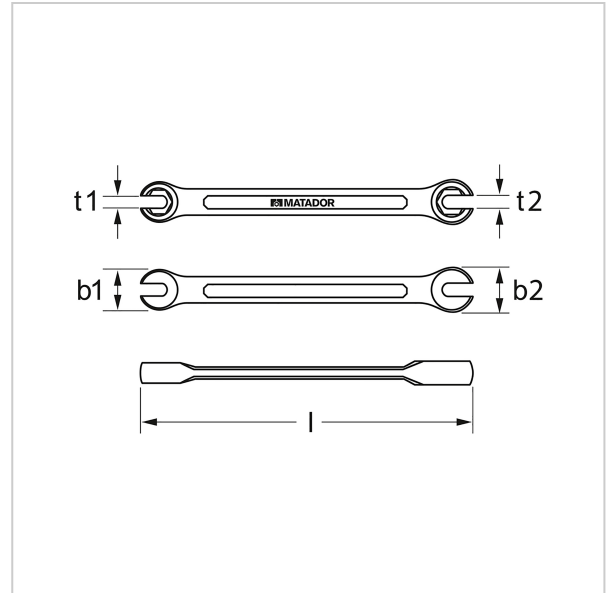
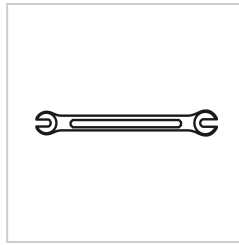


0250 Brake line spanner, straight, MATADOR item no. 02500001



0250 Brake line spanner, straight, MATADOR item no. 02500001



Beschreibung:

Double ring spanner, open, metric.

For union nuts and bolts on pipes, also ideal for brake lines. Drop-forged with reinforced ring. Heads angled 15°, opening 30° offset and slotted. With hexagonal ring. Made of chrome vanadium steel (31CrV3), with matt chrome-plated surface for pleasant grip even with oily hands.

Technische Daten

Manufacturer-Number:	02500001M
EAN:	4040674109292
Weight:	0.17 kg