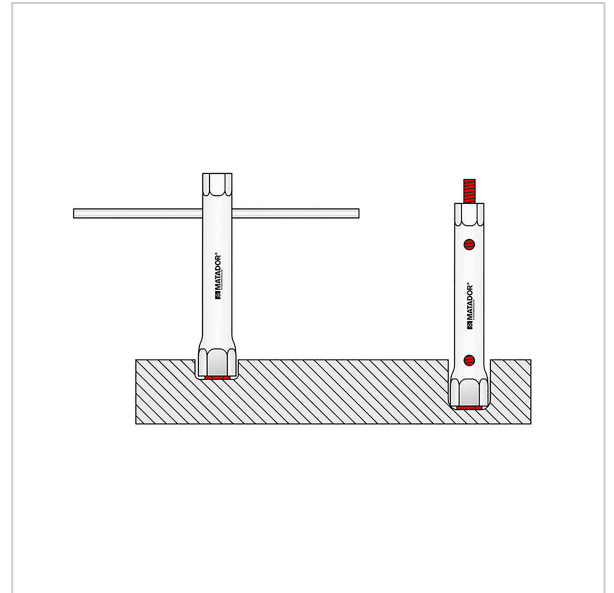
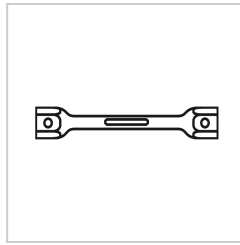


0380 Pipe socket spanner, DIN 896, 6x7 mm, MATADOR item no.: 03800607



0380 Pipe socket spanner, DIN 896, 6x7 mm, MATADOR item no.: 03800607



Beschreibung:

Pipe socket wrench

with hexagon and hollow shank - the practical all-round wrench. For numerous applications, for example automotive and plumbing, ideal for studs, low-lying nuts, spark plugs, etc.

With **external hexagon**, usable in combination with a spanner as an extension for **particularly low-lying screw connections**. With hollow shank and bore for rotary pins (Art. Code 03420250). Made of tubular steel, DIN 2391 seamless, hardened, with matt chrome-plated surface for pleasant grip even with oily hands. Version according to DIN 896 Form B / ISO 2236 / ISO 1085.

Technische Daten

Manufacturer-Number: 03800000M

Width: 80 mm

Height: 10 mm

Length: 100 mm

Weight: 0.08 kg

0380 Pipe socket spanner, DIN 896, 6x7 mm, MATADOR item no.: 03800607