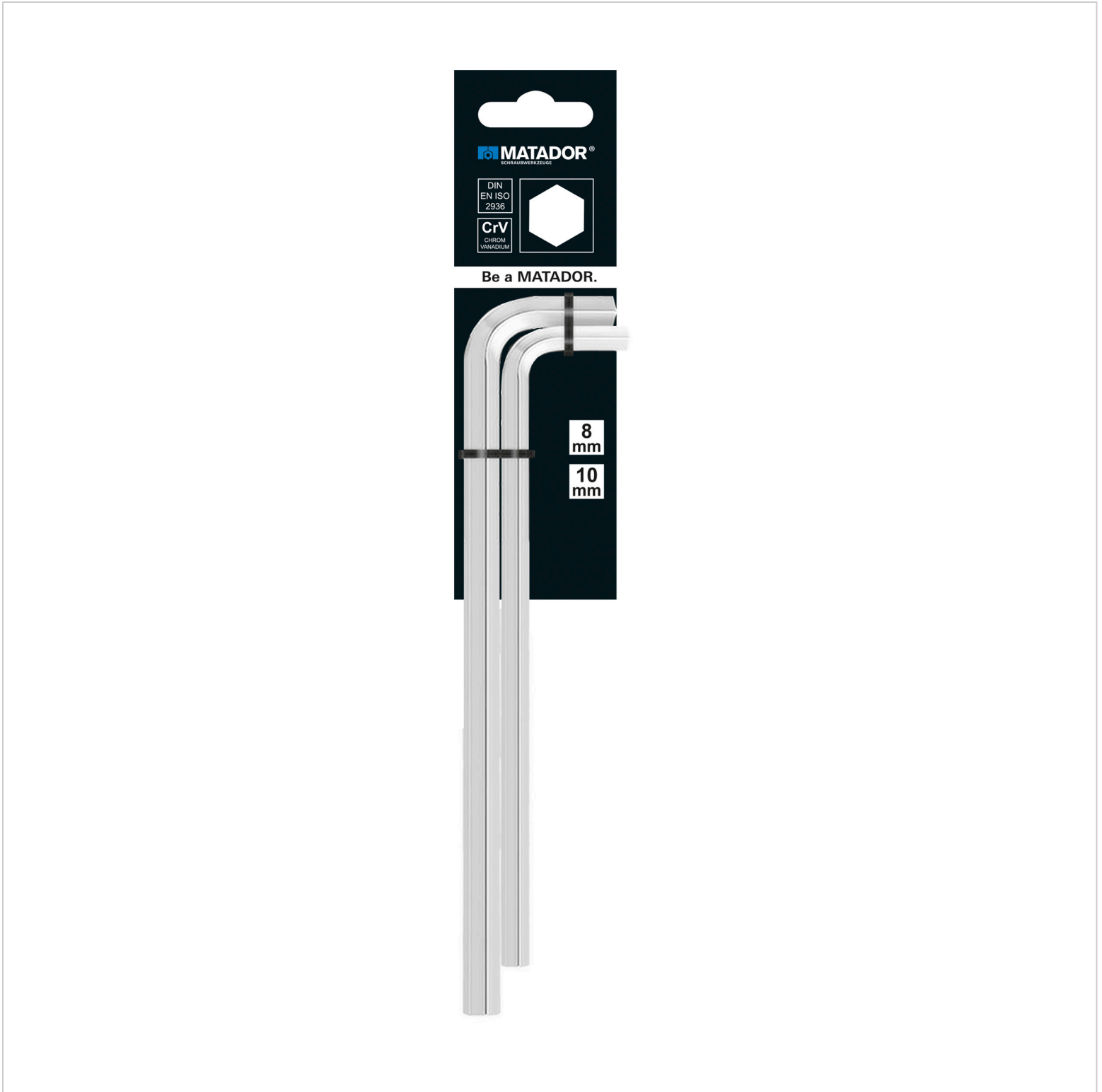
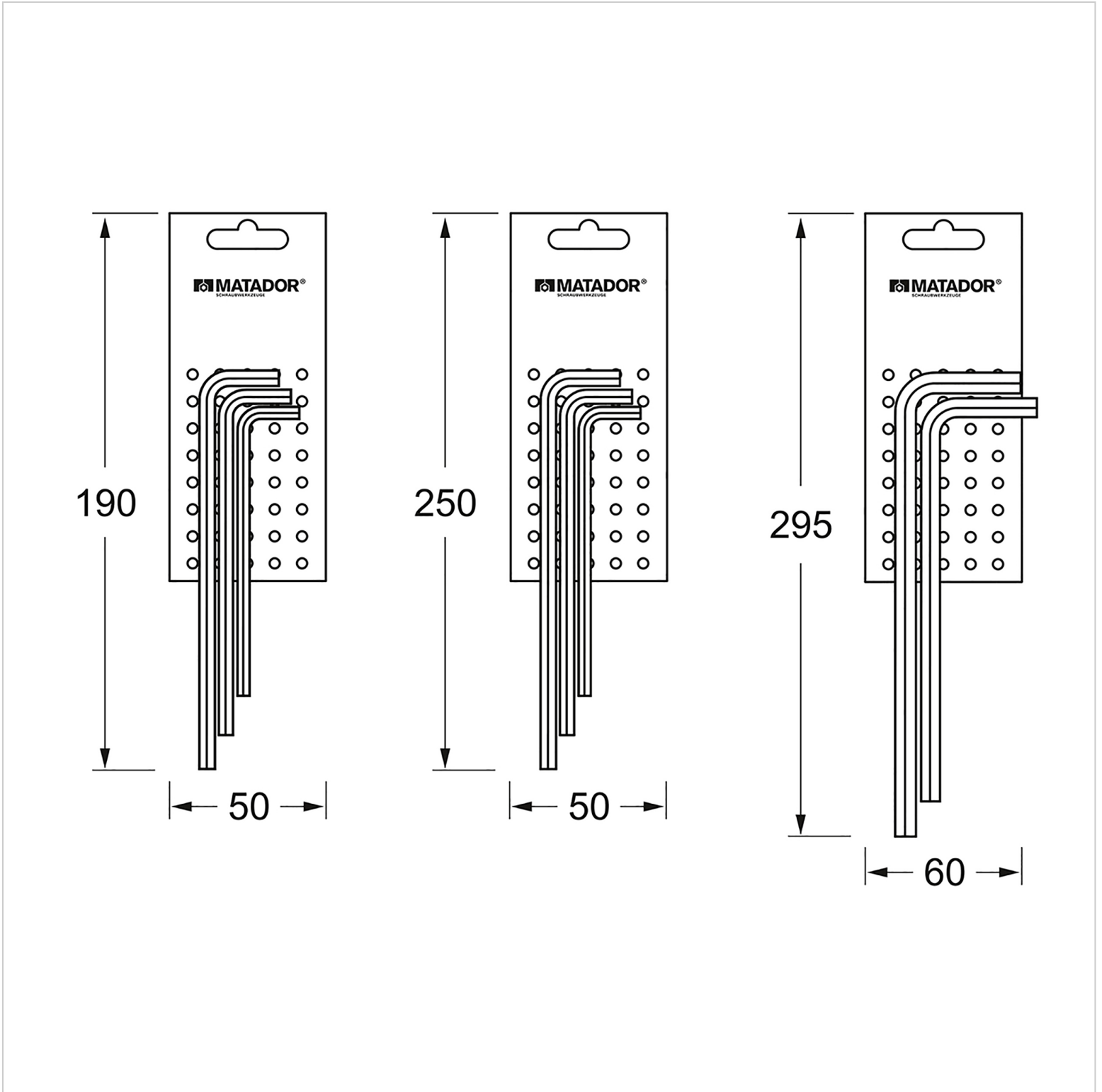


0441 Offset screwdriver set, 2 pcs., long, 8/10 mm, MATADOR item no.: 04419020



0441 Offset screwdriver set, 2 pcs., long, 8/10 mm, MATADOR item no.: 04419020



Beschreibung:

Angle screwdriver set, 2 pcs., for hexagon socket screws. Long shape, hardened throughout. Stamped, durable marking (not only lasered) and fully galvanically treated surface (nickel-plated and chrome-plated) for long-lasting corrosion protection. With chamfered edges for easier insertion into the screw even with worn screw heads. Special chromium vanadium alloy for transmitting high torque values. Content: 8, 10 mm.

0441 Offset screwdriver set, 2 pcs., long, 8/10 mm, MATADOR item no.: 04419020

Technische Daten

Manufacturer-Number:	0441 9020
EAN:	4040674167711
Width:	80 mm
Height:	14 mm
Length:	300 mm
Weight:	0.295 kg