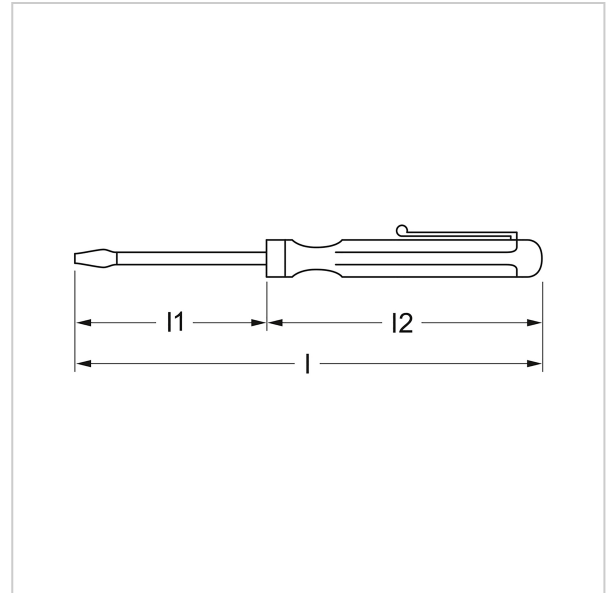
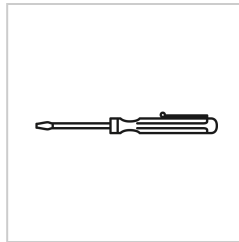


0635 Voltage tester VDE, 0.5x3x65 mm, MATADOR item no.: 06350530



0635 Voltage tester VDE, 0.5x3x65 mm, MATADOR item no.: 06350530



Beschreibung:

Voltage tester VDE. Up to 230 V. with metal clip. Handle transparent. Standards: VDE 0680. Material blade: special steel. Surface blade: nickel-plated and plastic-sheathed. MATADOR is one of the pioneers of the tool industry. Since 1900 we have been producing quality hand tools "around the screw". We stand for sophisticated premium tools. Reliable, design-oriented, no frills. For people who know what they want. They are in the arena and not in the auditorium. Being able to distinguish tools from toys. Who believe in themselves. Welcome to the Arena! Be a MATADOR.

Technische Daten

Manufacturer-Number:	0635 0530
EAN:	4040674222243
Length:	140 mm
Weight:	0.015 kg