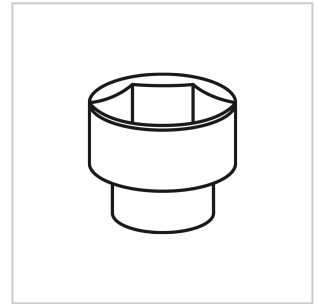
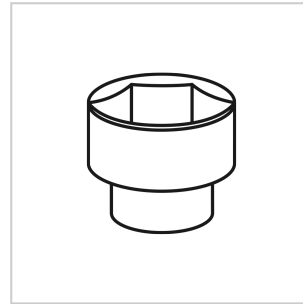


**5075** Socket spanner, 6-kt. 20 mm, 3/4": 30 mm, MATADOR item no.: 50750300



**5075** Socket spanner, 6-kt. 20 mm, 3/4": 30 mm, MATADOR item no.: 50750300



**Beschreibung:**

Socket wrench insert, metric. For external hexagon screws. For manual operation with ratchet and connecting parts. Internal square drive according to DIN 3120, D 20 / ISO 1174. With pin lock. Made of chrome vanadium steel. All sockets with MATADOR Super chrome coating for finer surface finish and strong resistance to damage, scratches, etc. With SmartDrive<sup>2</sup> profile, protects screw and nut heads by transmitting power to the flanks.

**Technische Daten**

**5075** Socket spanner, 6-kt. 20 mm, 3/4": 30 mm, MATADOR item no.: 50750300

**Manufacturer-Number:** 50750000M

---

**Width:** 80 mm

---

**Height:** 37 mm

---

**Length:** 100 mm

---

**Weight:** 0.21 kg

---