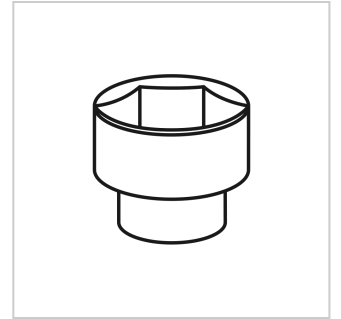
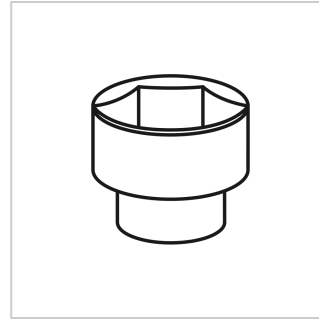


5075 Socket spanner, 6-kt. 20 mm, 3/4": 32 mm, MATADOR item no.: 50750320



5075 Socket spanner, 6-kt. 20 mm, 3/4": 32 mm, MATADOR item no.: 50750320



Beschreibung:

Socket wrench insert, metric. For external hexagon screws. For manual operation with ratchet and connecting parts. Internal square drive according to DIN 3120, D 20 / ISO 1174. With pin lock. Made of chrome vanadium steel. All sockets with MATADOR Super chrome coating for finer surface finish and strong resistance to damage, scratches, etc. With SmartDrive² profile, protects screw and nut heads by transmitting power to the flanks.

Technische Daten

Manufacturer-Number:	50750000M
Width:	80 mm
Height:	37 mm
Length:	100 mm
Weight:	0.21 kg

5075 Socket spanner, 6-kt. 20 mm, 3/4": 32 mm, MATADOR item no.: 50750320