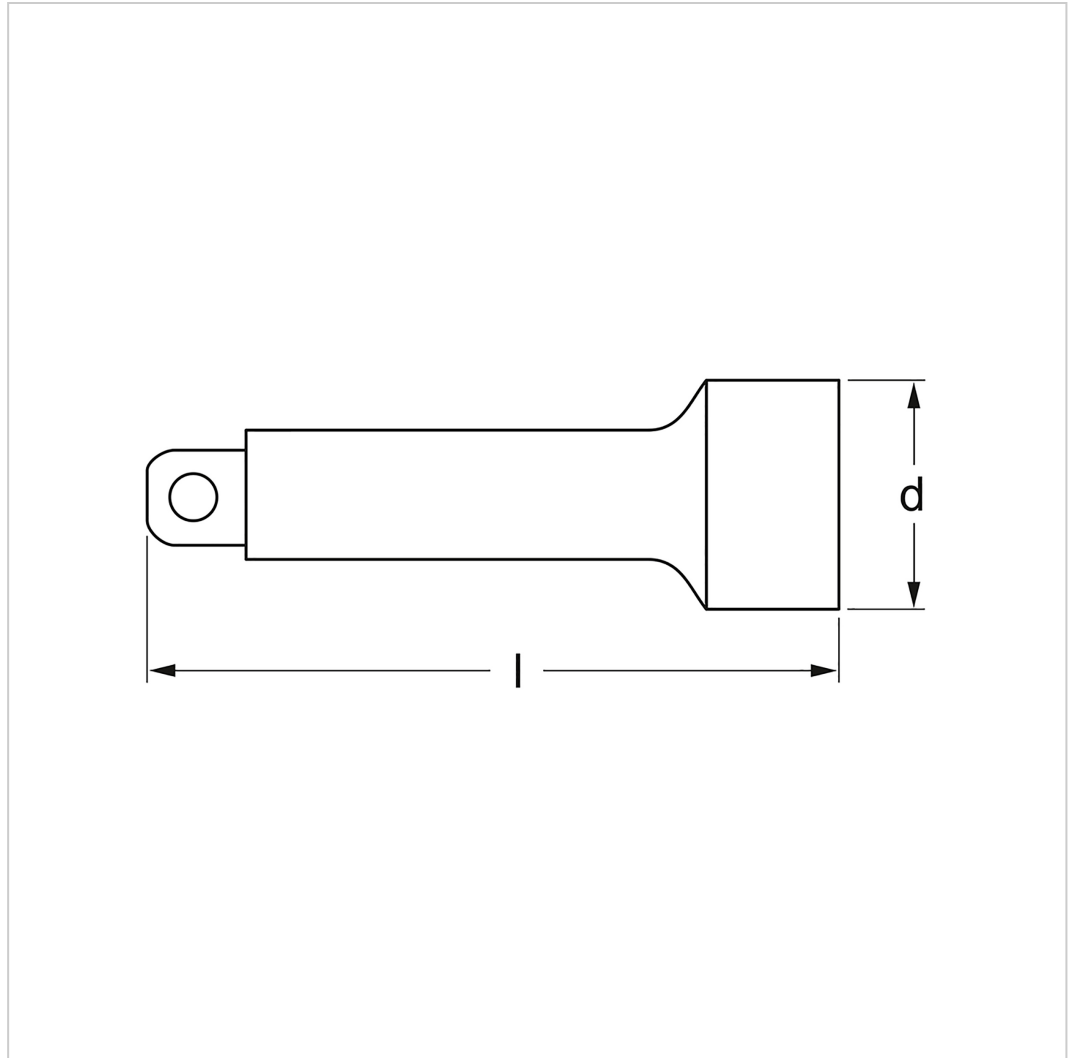
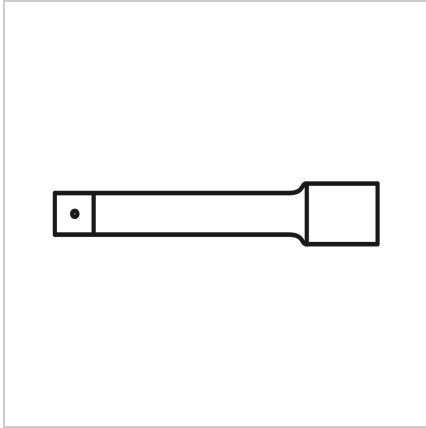


6065 Extension, 1": 200 mm, MATADOR item no.: 60650001



6065 Extension, 1": 200 mm, MATADOR item no.: 60650001



Beschreibung:

Extension. With pin lock. With pin lock. For manual operation with ratchet and connecting parts. Square according to DIN 3120, B 25 and D 25 / ISO 1174. Length 200 mm. With MATADOR Super chrome coating for finer surface finish and strong resistance to damage, scratches, etc.

Technische Daten

Manufacturer-Number:	6065 0001
EAN:	4040674142190
Width:	80 mm
Height:	48 mm
Length:	230 mm

6065 Extension, 1": 200 mm, MATADOR item no.: 60650001

Weight: 1.15 kg
