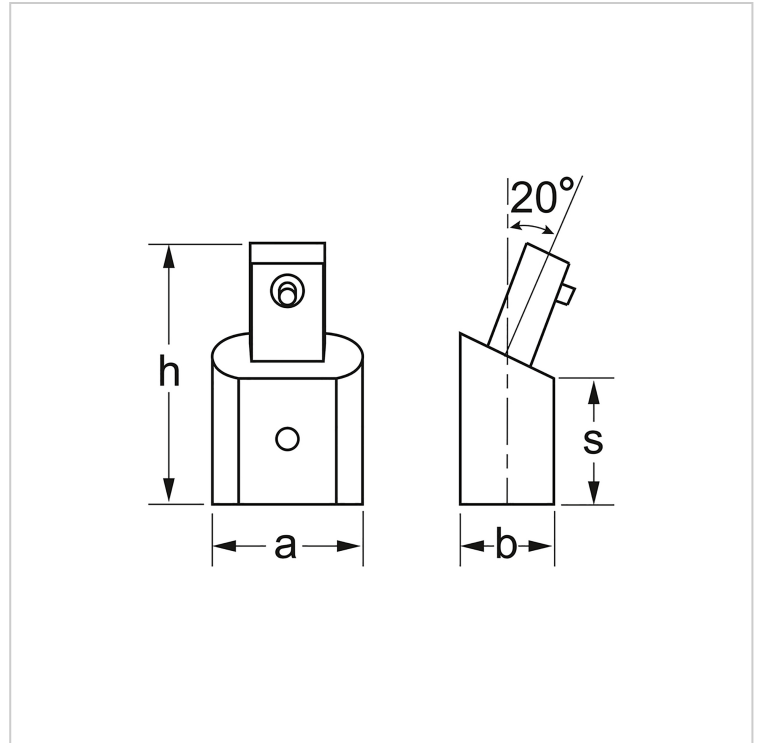


6187 Mortise adapter 20°, 9x12 mm, MATADOR item no.: 61870004



6187 Mortise adapter 20°, 9x12 mm, MATADOR item no.: 61870004



Beschreibung:

Plug-in adapter. Adapters for harsh work environments. With 20° deflection in 9x12 mm. With pin lock. MATADOR is one of the pioneers of the tool industry. Since 1900 we have been producing quality hand tools "around the screw". We stand for sophisticated premium tools. Reliable, design-oriented, no frills. For people who know what they want. They are in the arena and not in the auditorium. Being able to distinguish tools from toys. Who believe in themselves. Welcome to the Arena! Be a MATADOR.

Technische Daten

Manufacturer-Number:	6187 0004
EAN:	4040674219908
Width:	80 mm
Height:	17 mm
Length:	80 mm
Weight:	0.047 kg

6187 Mortise adapter 20°, 9x12 mm, MATADOR item no.: 61870004