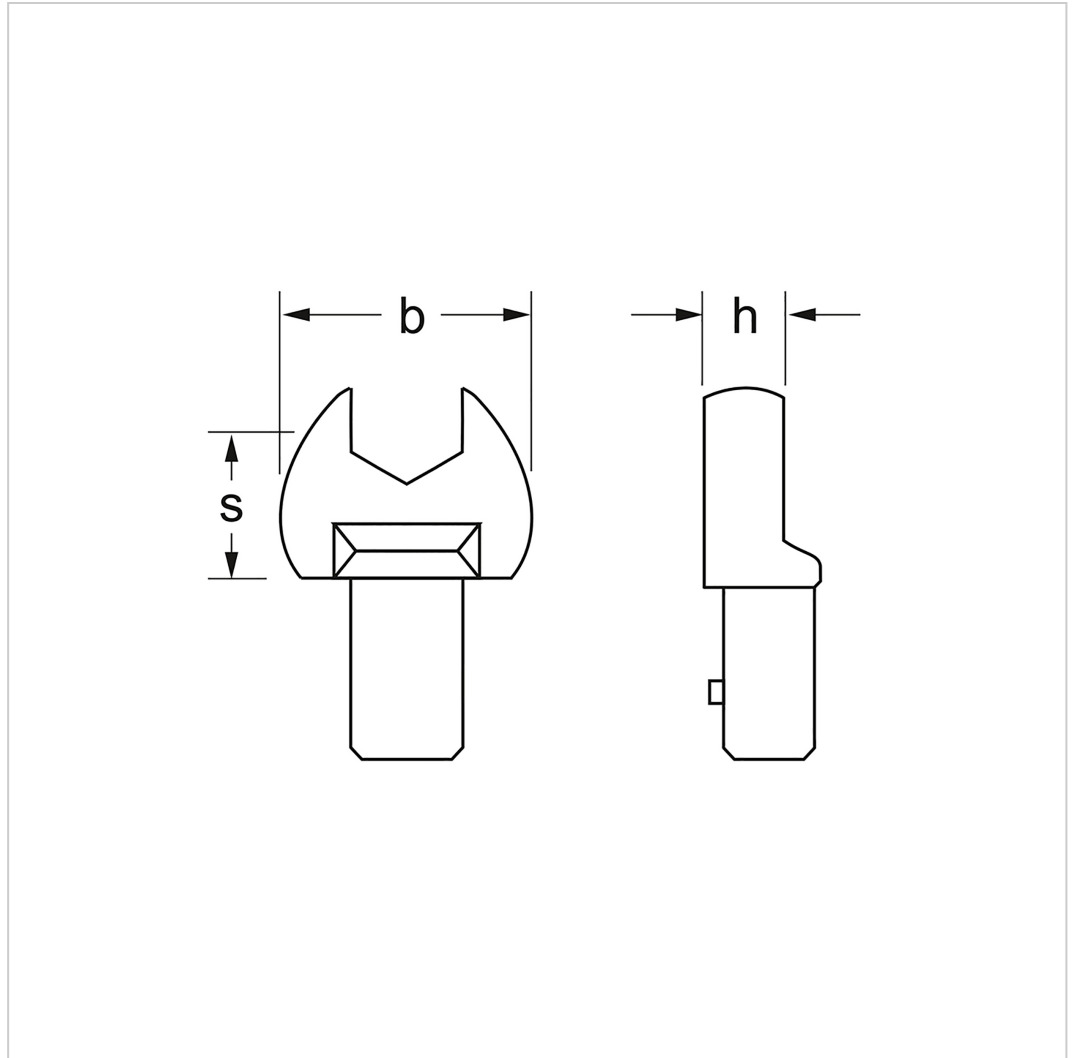
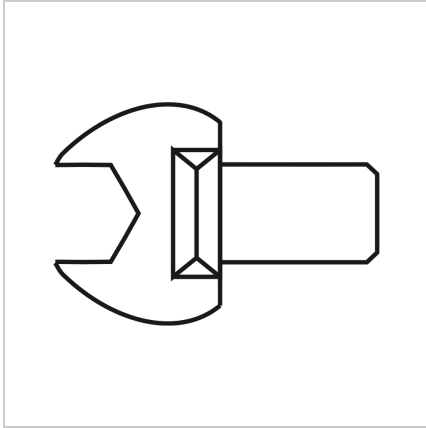


**6190** Socket spanner, 14x18 mm: 41 mm, MATADOR item no.: 61901410



**6190** Socket spanner, 14x18 mm: 41 mm, MATADOR item no.: 61901410



**Beschreibung:**

Socket spanner. With pin lock. Chrome vanadium / matt chrome-plated.

**Technische Daten**

**Manufacturer-Number:** 61901100M

**Width:** 80 mm

**Height:** 22 mm

**Length:** 80 mm

**Weight:** 0.118 kg

**6190** Socket spanner, 14x18 mm: 41 mm, MATADOR item no.: 61901410