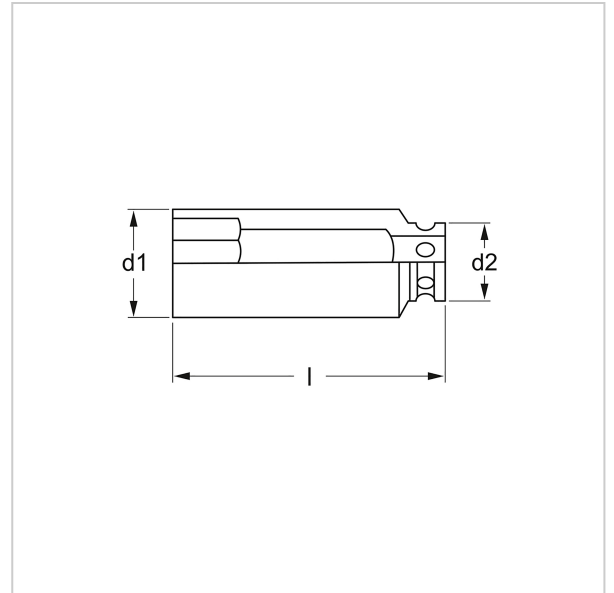
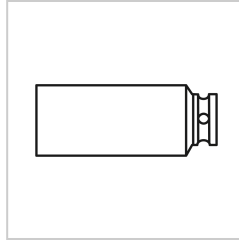


7481 Power socket spanner bit, 1/2": 21 mm L, MATADOR item no.: 74810210



7481 Power socket spanner bit, 1/2": 21 mm L, MATADOR item no.: 74810210



Beschreibung:

Power socket socket insert, long version. Suitable for hexagon socket socket screws.

With hexagonal profile. For machine operation, **suitable for all common compressed air and electric screwdrivers**. Internal square drive according to DIN 3121, G 12.5 / ISO 1174. With MATADOR **SmartDrive² profile**. The SmartDrive² profile protects screw and nut heads by transmitting power to the flanks. Standards: DIN 3129 / ISO 2725-2. Made of **chrome-molybdenum steel**. Surface: **Manganese phosphated**.

Technische Daten

Manufacturer-Number: 74810000M