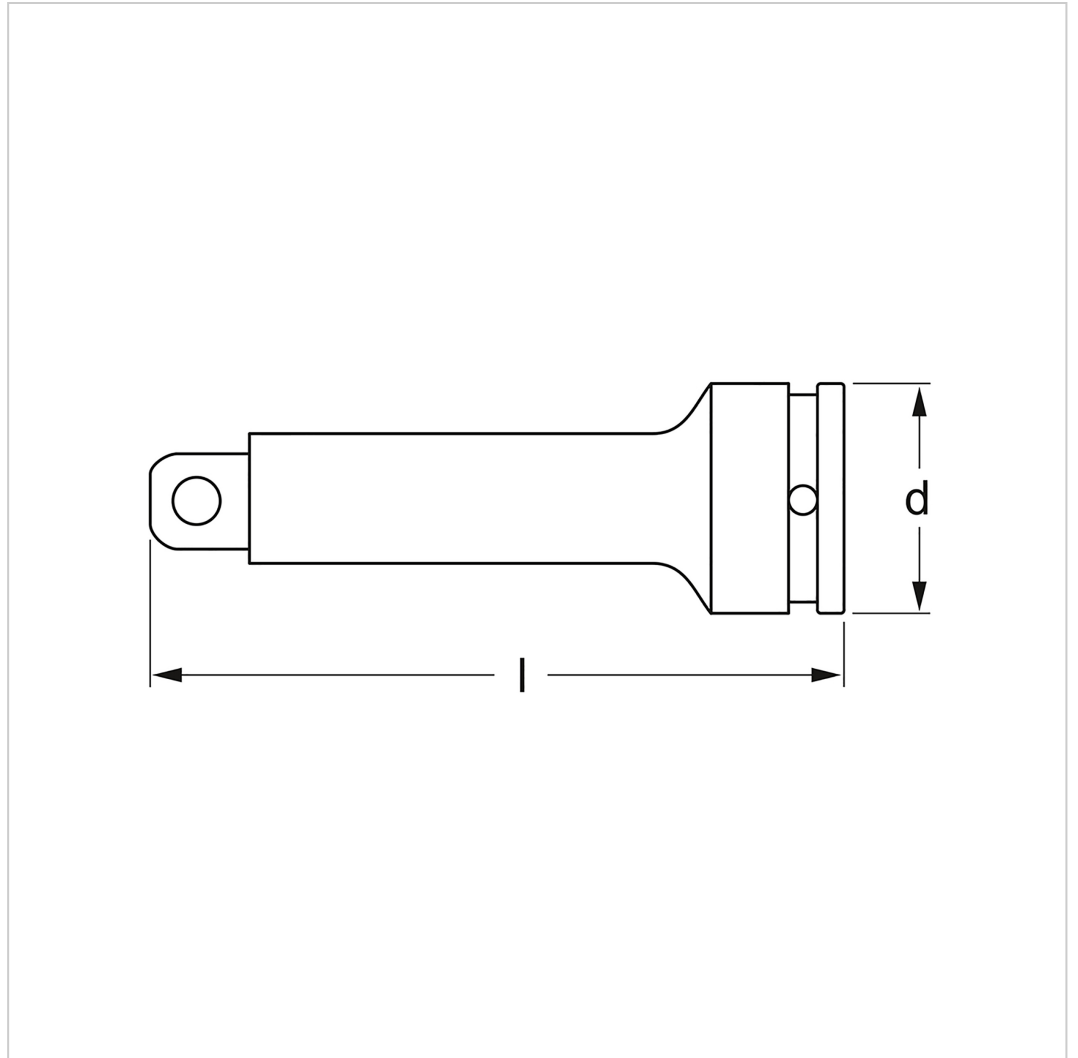
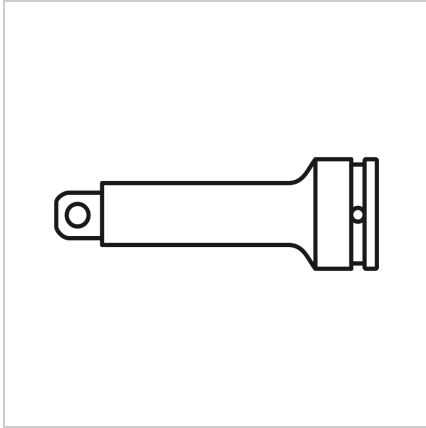


7665 Force extension, 1": 150 mm, MATADOR item no.: 76650001



7665 Force extension, 1": 150 mm, MATADOR item no.: 76650001



Beschreibung:

Power extension. For machine-operated socket wrench inserts and connecting parts. Internal square drive according to DIN 3121, G 25 and F 25 / ISO 1174. Made of chrome-molybdenum steel. Surface: Manganese phosphated.

Technische Daten

Manufacturer-Number: 76650000M